

Project: _____

Fixture Type: _____

Location: _____

Contact / Phone: _____

TERBFV90 TERBFV110

Contractor Series Bathfans

Contractor Series Bathfans come in a 90cfm and a 110 cfm unit. Both include a 4" duct adapter and are CSA listed for damp location. Includes built in galvanized steel mounting brackets for an extra secure fit.

features:

- 90 cfm / 3.5 sones or 110 cfm / 3.5 sones
- Galvanized steel housing
- Built-in mounting tabs and junction box
- Molded 4" duct adapter
- Attractive molded grille
- Independently tested for CFM and SONE rating
- Operating Voltage 120V

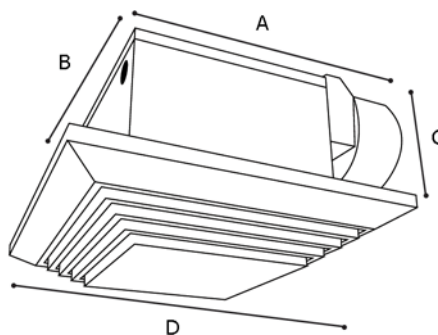


ordering information:

model	sones rating	cfm	amps	volts
TERBFV90	3.5	90	2.1A	120
TERBFV110	3.5	110	2.1A	120

dimensions:

A	B	C	D
11 1/4"	8"	6 3/8"	12 1/4"



other available faceplates:

TERFP91BZ



Bronze Finish

TERFP91TG



Tuscan Gold Finish

TERFP91RG



Renaissance Gold Finish