



TAMLITE LIGHTING

660 NW Peacock Blvd. Port St. Lucie, FL 34986
tel: (772) 878-4944 or on the web at www.tamliteusa.com

SPECIFICATION & FEATURES

Catalog Number
Notes
Job/Title

HOUSING:

The Vivid Series has a die-cast aluminum back housing with template for mounting over an electrical box, color matched polycarbonate front housing, coin plugs with O-rings for 1/2" conduit and photocell, bronze powdercoat finish.

REFLECTOR:

Formed aluminum reflector

LENS:

Clear ribbed polycarbonate lens

SOCKET:

PL: Plug-in type, 4 pin, GX24Q-4

MOUNTING:

Has cast-in template for mounting directly over a 4" recessed outlet box or use 1/2" surface mount conduit connection.

SOURCE / WATTAGE:

Compact Fluorescent: 26W to 84W (1x26, 1x32, 1x42, 2x26, 2x32, 2x42)
120-277V electronic ballast.

LISTING & RATINGS:

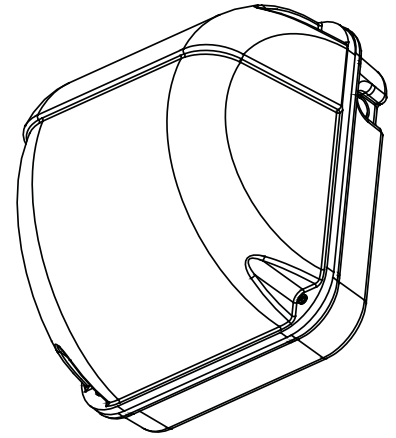
UL or CSA: Listed for wet locations.

WARRANTY:

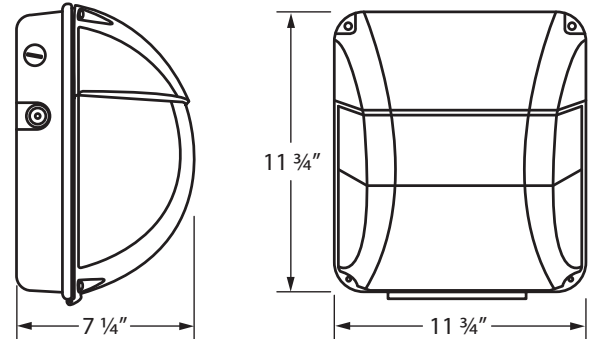
Guaranteed for one year against mechanical defects in manufacturing.

*** SPECIFICATIONS SUBJECT TO CHANGE WITHOUT NOTICE***

VIV Vivid Polycarbonate Wall Pack



DIMENSIONS DATA



Max. Weight 7 lbs.

ORDERING INFORMATION (FLUORESCENT)

CATALOG#	DESCRIPTION	VOLTAGE	BALLAST
VIV126AEL ¹	26 WATT PL	120-277	ELECTRONIC
VIV132AEL ¹	32 WATT PL	120-277	ELECTRONIC
VIV142AEL ¹	42 WATT PL	120-277	ELECTRONIC
VIV226AEL ¹	52 WATT PL	120-277	ELECTRONIC
VIV232AEL ¹	64 WATT PL	120-277	ELECTRONIC
VIV242AEL ¹	84 WATT PL	120-277	ELECTRONIC

¹ Battery back-up available by adding "B1" to end of part code for 120V or "B2" for 277V.

Lamp(s) included

NOTES:

Electronic fluorescent ballasts are high power factor, Class P insulation, 120-277V, and have a starting temperature of 0° F (-18° C).

Battery backup provides up to 90 minutes of power for two (2) lamps (depending on wattage), and has an operating temperature range of 32° to 122° F (0° to +50° C).

CONSULT FACTORY FOR BALLAST INFORMATION