



# TAMLITE LIGHTING

660 NW Peacock Blvd. Port St. Lucie, FL 34986  
 tel: (772) 878-4944 or on the web at [www.tamliteusa.com](http://www.tamliteusa.com)

## SPECIFICATION & FEATURES

Catalog Number
Notes
Job/Title

# W2

## W2 LED Wall Pack

### HOUSING:

The W2 Series has a die-cast aluminum housing, a removable hinged door with gasket and captive stainless steel screws, coin plugs with O-rings for 1/2" conduit entry or photocell installation and has an architectural bronze UV resistant powdercoat finish.

### LENS:

Molded wedge shaped prismatic surface borosilicate glass lens with gasket.

### MOUNTING:

Optional cast aluminum mounting plate. Mounts directly over a 4" recessed outlet box or use 1/2" surface mount conduit connection.

### ILLUMINATION:

Long life, energy saving CREE LEDs, Color temperature - 4700K, low junction temperature (Tj) for long life, low lumen depreciation, Low starting temp -30°C., Lumens per LED - Approx. 90-95.

### SOURCE / WATTAGE:

LED: 30 Watt  
 IC current controlled LED circuits

\*\*\*LED'S meet LM80 requirements photometric available on request\*\*\*

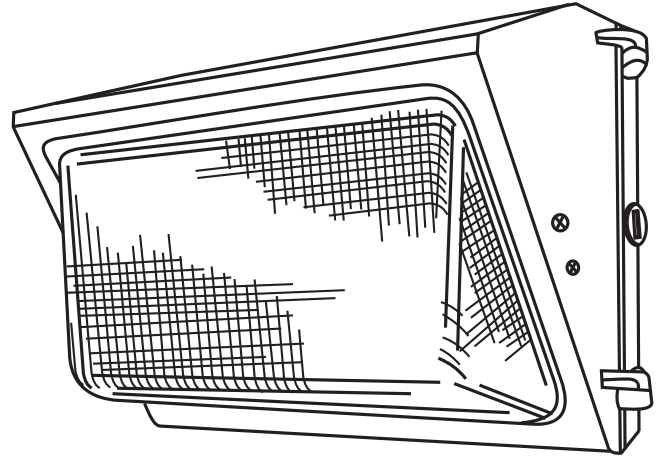
### LISTING & RATINGS:

UL: Listed for wet locations.

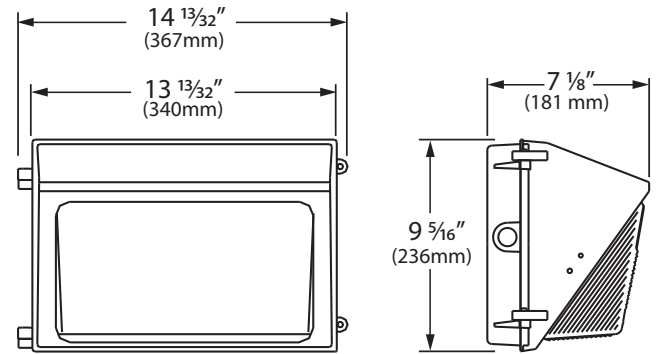
### WARRANTY:

Guaranteed for 3 year against mechanical defects in manufacturing.

\*\*\* SPECIFICATIONS SUBJECT TO CHANGE WITHOUT NOTICE\*\*\*



### DIMENSIONS DATA



### ORDERING INFORMATION

CATALOG#	DESCRIPTION	VOLTAGE	INPUT POWER
W2LED30W	30 WATT LED	120-277	36 WATTS