



# TAMLITE LIGHTING

660 NW Peacock Blvd. Port St. Lucie, FL 34986  
tel: (772) 878-4944 or on the web at [www.tamliteusa.com](http://www.tamliteusa.com)

## SPECIFICATION & FEATURES

### HOUSING:

Die-cast aluminum housing and hinged front frame with stainless steel hinge pins, 1/2" coin plugs with O-rings for conduit and photocell, bronze powdercoat finish, includes safety cable to prevent front frame impact when relamping.

### REFLECTOR:

Formed aluminum reflector

### LENS:

Prismatic borosilicate glass lens

### SOCKET:

HID: Porcelain 4KV pulse rated medium base socket with nickel-plated screw shell.  
PL: Plug-in type, 4 Pin, GX24Q-4.

### MOUNTING:

Cast-in template for mounting directly over a 4" recessed outlet box, or use 1/2" surface conduit.

### ELECTRICAL:

High Pressure Sodium: 35W to 150W  
Metal Halide: 50W to 150W  
Compact Fluorescent<sup>1</sup>: 26W to 84W (1x26, 1x32, 1x42, 2x26, 2x32, 2x42)  
120-277V electronic ballast

### LISTING & RATINGS:

UL or CSA: Listed for wet locations.

### WARRANTY:

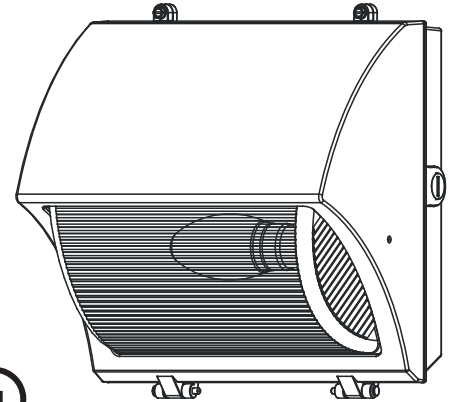
Guaranteed for one year against mechanical defects in manufacturing

\*\*\* SPECIFICATIONS SUBJECT TO CHANGE WITHOUT NOTICE\*\*\*

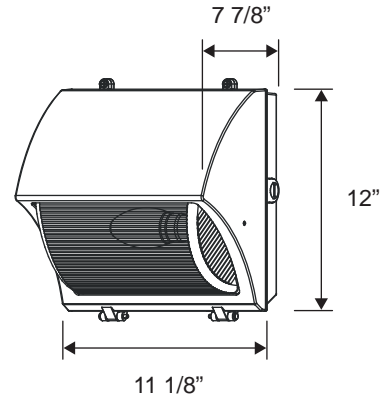
Catalog Number
Notes
Job/Title

# W5SC

## W5 Semi Cutoff Wall Pack



### DIMENSIONS DATA



Max. Weight: 25 LBS.

### ORDERING INFORMATION

CATALOG#	DESCRIPTION	VOLTAGE	BALLAST
<b>Fluorescent<sup>1</sup></b>			
W5SC1X26DL <sup>1</sup>	26 WATT PL	120-277	ELECTRONIC
W5SC1X32DL <sup>1</sup>	32 WATT PL	120-277	ELECTRONIC
W5SC1X42DL <sup>1</sup>	42 WATT PL	120-277	ELECTRONIC
W5SC2X26DL <sup>1</sup>	52 WATT PL	120-277	ELECTRONIC
W5SC2X32DL <sup>1</sup>	64 WATT PL	120-277	ELECTRONIC
W5SC2X42DL <sup>1</sup>	84 WATT PL	120-277	ELECTRONIC
<sup>1</sup> Battery back-up available by adding "B1" to end of part code for 120V or "B2" for 277V.			
<b>High Pressure Sodium</b>			
W5SCHPA35L	35 WATT HPS	120	R-NPF
W5SCHPA50L	50 WATT HPS	120	R-NPF
W5SCHPA70L	70 WATT HPS	120	R-NPF
W5SCHPA100L	100 WATT HPS	120	R-NPF
W5SCHPA150L	150 WATT HPS	120	R-NPF
W5SCHPA70L	70 WATT HPS	QUAD TAP	HX-HPF
W5SCHPA100L	100 WATT HPS	QUAD TAP	HX-HPF
W5SCHPA150L	150 WATT HPS	QUAD TAP	HX-HPF
<b>Metal Halide</b>			
W5SCMHQ50L	50 WATT MH	QUAD TAP	HX-HPF
W5SCMHQ70L	70 WATT MH	QUAD TAP	HX-HPF
W5SCMHQ100L	100 WATT MH	QUAD TAP	HX-HPF
W5SCMHQ150L	150 WATT MH	QUAD TAP	HX-HPF
Lamp(s) included			