



**FLUORESCENT**

# TAMLITE LIGHTING

660 NW Peacock Blvd. Port St. Lucie, FL 34986  
tel: (772) 878-4944 or on the web at [www.tamliteusa.com](http://www.tamliteusa.com)

## SPECIFICATION & FEATURES

Catalog Number
Notes
Job/Title

### DESCRIPTION:

The Wrap (WL) Series is offered by Tamlite Lighting, USA. This Product range is UL listed, and is a very cost effective solution in today's market. Tamlite Lighting is proud to offer the **WLUS** as part of the WL series. With over 60% of all material being a product of the USA, the WLUS meets all of the criteria to make it compliant with the "Buy American" act.

### CONSTRUCTION:

The Wrap (WL) Series is formed from 23 gauge steel, allowing for exceptional strength and durability. The body is constructed with numerous KOs for ease of installation. Standard twist-lock style T8 lamp holders or Standard fixed/spring-loaded T5 lamp holders included (View A). The 3 lamp WL has 2 gear covers to give an even lighting appearance (View B).

### FINISH:

The WL series is finished with a Three-stage iron phosphate pretreatment. This Treatment allows maximum paint adhesion and rust inhibitors provide corrosion protection. After fabrication the WL has a white high reflectance thermoset powder coating applied. The coating is applied electrostatically, then heated to 280 degrees to cure. The powder coating finish provides for better protection of the steel and also provides for better protection from very sharp and open edges. This finish is suitable for indoor applications only.

### ELECTRICAL:

\*\*\*CONSULT FACTORY FOR BALLAST INFORMATION\*\*\*

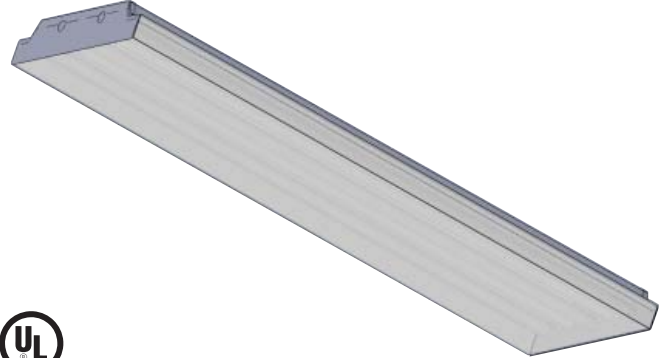
### WARRANTY:

Guaranteed one year from the purchase date of the product, against mechanical defects in manufacturing.

\*\*\* SPECIFICATIONS SUBJECT TO CHANGE WITHOUT NOTICE\*\*\*

# WL

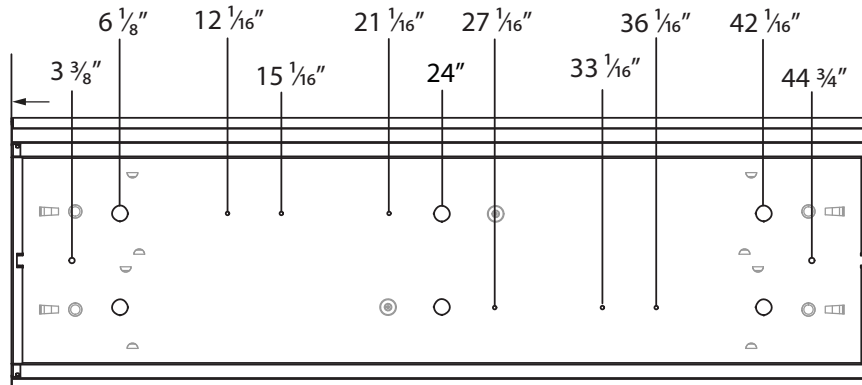
## 3 Lamp Wrap Series



### SPECIFICATIONS

	<b>3 LAMP</b>
<b>LENGTH:</b>	48 1/16"
<b>WIDTH:</b>	15 7/8"
<b>DEPTH:</b>	3 3/8"

### MOUNTING INFORMATION



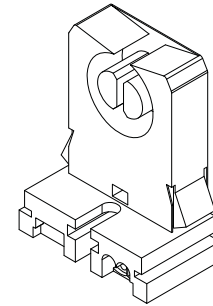
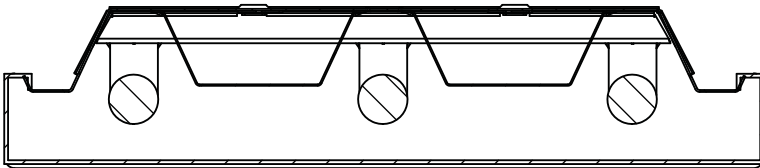


## SPECIFICATION & FEATURES

# WL

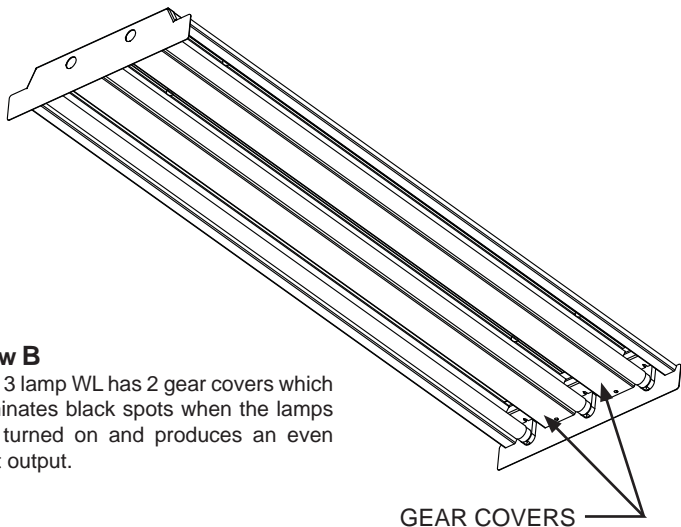
## 3 Lamp Wrap Series

### LAMP CONFIGURATION



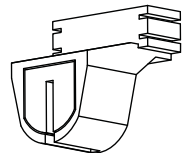
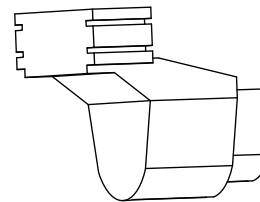
#### View A

The WL fixtures are configured with standard twist-lock T8 lamp holders (shown above) or the fixed/spring-loaded T5 lamp holders (shown below) depending on lamp type.



#### View B

The 3 lamp WL has 2 gear covers which eliminates black spots when the lamps are turned on and produces an even light output.



### ORDERING INFORMATION

#### WL Series

Sample Part Code: WLUS3428D

<input type="text"/>	<input type="text"/>	<input type="text"/>	<input type="text"/>	<input type="text"/>	<input type="text"/>
<b>SERIES</b>	<b>LAMP QTY</b>	<b>LENGTH</b>	<b>LAMP WATTAGE</b>	<b>VOLTAGE</b>	<b>EMERGENCY BALLAST</b>
<b>WLUS:</b> WLUS Series (WLUS "Buy American" act Compliant) <b>WL:</b> WL Series	<b>3:</b> 3 Lamp	<b>4:</b> 4'	<b>28:</b> 28W T5 <b>32:</b> 32W T8 <b>54:</b> 54W T5HO	<b>A:</b> 120V <b>B:</b> 277V <b>D:</b> 120-277V	<b>BLANK:</b> No options <b>B1:</b> 500 lumens 1 lamp <b>B2:</b> 1400 lumens 1 lamp <b>B3:</b> 1400 lumens 2 lamp** Factory Installed **T8 only

Application and Performance Specification Information is Subject to Change Without Notification



## SPECIFICATION & FEATURES

# WL 3 Lamp Wrap Series

### LIGHT OUTPUT PERFORMANCE:

This light fixture was sent to an independent testing house for all photometric work to be carried out. The enamel finish provides a reflectance factor of 87%.

### PHOTOMETRICS:

Calculated using the zonal cavity method in accordance with IESNA LM41 procedure. Floor reflectances are 20%. Lamp configurations shown are typical. Full photometric data on these and other configurations available upon request.

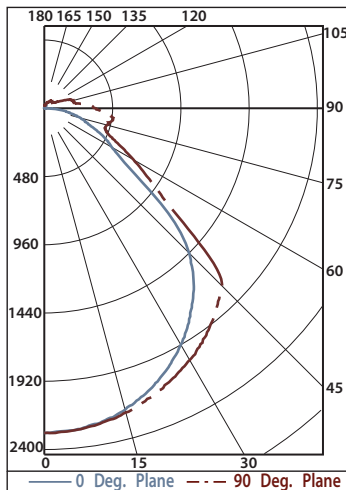
WL3432D  
Report LTL 12898  
Lumens per lamp - 2850 – Lum. eff. - 79.0%  
S/MH (along) 1.2 (across) 1.3  
Coefficient of Utilization

Ceiling	80%			70%			50%	
Wall	70%	50%	30%	70%	50%	30%	50%	30%
0	93	93	93	90	90	90	84	84
1	85	81	78	82	79	76	74	72
2	78	72	67	75	70	65	66	62
3	72	64	58	69	62	57	59	54
4	66	57	51	64	56	50	53	48
5	60	51	44	58	50	43	47	42
6	56	46	39	54	45	38	43	37
7	51	41	35	50	40	34	39	33
8	47	37	30	46	36	30	35	29
9	44	33	27	42	32	26	31	26
10	41	30	24	39	29	24	28	23

### Zonal Lumens Summary WL3432D

Zone	Lumens	% of Lamp	% of Fixture
0-30	1796	21.0	26.6
0-40	2975	34.8	44.1
0-60	5040	59.0	74.6
0-90	6227	72.8	92.2
90-180	526	6.2	7.8
0-180	6753	79.0	100.0

WL3432D



Application and Performance Specification Information is Subject to Change Without Notification