



TAMLITE LIGHTING

660 NW Peacock Blvd. Port St. Lucie, FL 34986
tel: (772) 878-4944 or on the web at www.tamliteusa.com



SPECIFICATION & FEATURES

Catalog Number
Notes
Job/Title

DESCRIPTION:

BL9ICRAT is a 6" aperture housing for one vertical lamp, UL, C-UL listed for damp location. The BL9ICRAT is designed for insulated ceilings and can be in direct contact with insulation. It is thermally protected against misuse of insulation materials and improper lamping. This air-tight housing design prevents airflow through ceiling for saving heating and air conditioning costs. The BL9ICRAT offers a choice of trim types including baffle, reflector, lensed and eyeball trims.

HOUSING/MOUNTING FRAME:

7 1/2" height allows to use in 2" x 8" joist construction. Adjustable socket mounting plate for proper positioning of different lamp types.

LAMPING/SOCKET:

90W Max., 120V (Lamp wattage based on trim).

JUNCTION BOX:

J-box is listed for through-branch circuit wiring (5)11/16" knockouts, and (4) knockouts with Romex cable lamp. Ground wire is provided.

COMPLIANCE:

UL, C-UL listed for damp location.
Certified Air-Tight under ATM-E283

WARRANTY:

Guaranteed one year from the purchase date of the product, against mechanical defects in manufacturing.

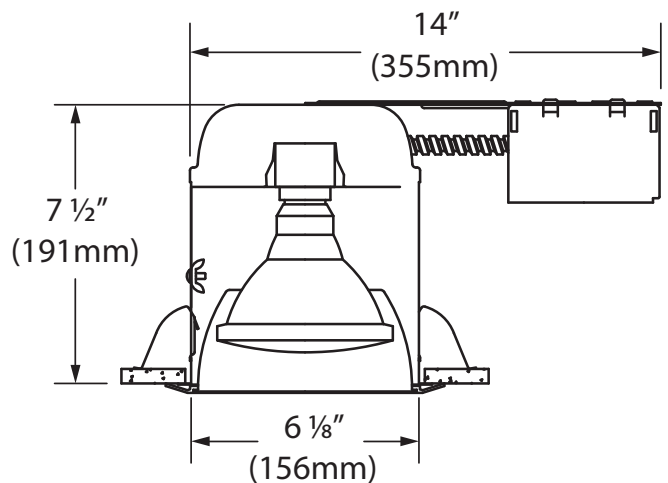
*** SPECIFICATIONS SUBJECT TO CHANGE WITHOUT NOTICE***

BL9ICRAT

6" IC Type Housing for Remodeling Line Voltage



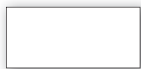
DIMENSIONS DATA



ORDERING INFORMATION

BL9ICRAT

Sample Part Code: BL9ICRAT



SERIES

BL9ICRAT: IC Rated, Air Tight Housing