



CONTRACTOR:	
PROJECT:	DATE:
PREPARED BY:	MODEL#: WILEDWSCS

SERIES SPECIFICATIONS



WILED SERIES

Wattage/Color Selectable LED Wall Pack

The WILED wall pack with its traditional body style is an ideal replacement for HID wall packs. Advantages include long life, instant on/off and lower energy consumption.



FEATURES AND SPECIFICATIONS

Intended Use

The WILED wall pack is ideal for lighting small areas or walkways. This wall pack is especially useful for security lighting in residential or small to medium commercial buildings.

Construction

Die cast aluminum housing with removable hinged door with gasket and captive corrosion resistant stainless steel screws. 1/2" coin plugs with O-rings for conduit entry on both sides and top. Finish: Durable powdercoat finish.

Optics

Molded wedge shaped prismatic surface borosilicate glass lens provides a beam angle of 120°.

Electrical

Long-life LEDs, coupled with high-efficiency drivers, provide extended service life. The WILED delivers up to 129 lumens per watt. Thermally protected driver standard.

Dimming

0-10V

Installation:

Fixture has cast-in template for mounting directly over a 4" recessed box or 1/2" coin plugs with O-rings for surface mount conduit connection.

Listings

UL listed to US and Canadian safety standards. Wet location listed. For use in ambient operating temperatures ranging from -40°~+40°C.

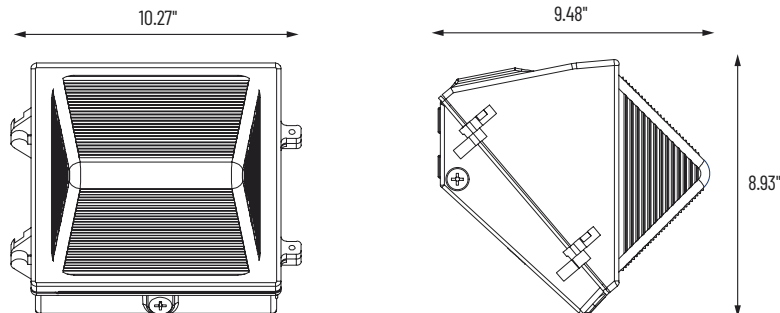
Photocell

Integrated photocell with ON/OFF switch.

Warranty

5-year limited warranty.

LINE DRAWING



APPLICATION AND PERFORMANCE SPECIFICATION IS SUBJECT TO CHANGE WITHOUT NOTIFICATION



CONTRACTOR:	
PROJECT:	DATE:
PREPARED BY:	MODEL#: W1LEDWSCS

ORDERING INFORMATION

EXAMPLE: W1LEDWSCS

SERIES	WATTAGE	COLOR TEMP	BODY COLOR
W1LED	[WS] : Selectable 10W/20W/30W	[CS] : Selectable 3000K/4000K/5000K	[BLANK] : Bronze

PERFORMANCE SPECIFICATIONS

GENERAL DRIVER INFORMATION

ELECTRICAL SPECIFICATIONS		
Input		
Input Voltage (VAC)	120V-277V (+/- 10%)	
Frequency Range (Hz)	50-60 Hz (+/- 10%)	
	120V	277V
Input Current Max (A) Per Driver	1	0.36
THD @ Full Load	<15%	<20%
Efficiency @ Full Load	92%	>89%
Power Factor @ Full Load	>0.9	
Output		
Dimming	0-10V	

LUMEN BREAKDOWN

WATTAGE	LUMENS
10w	1800lm
20w	3200lm
30w	4200lm