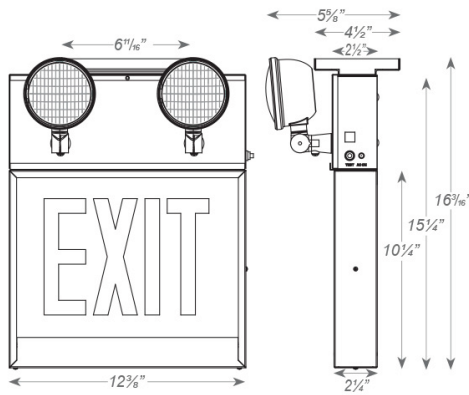


MODEL :		TYPE
PROJECT :		
PREPARED BY :	DATE :	

SPECIFICATIONS
CHEXSC SERIES

The CHEXSC series 20-gauge steel exit & emergency combo unit offers two 5.3W adjustable LED lamp heads and meets city of Chicago requirements.


LINE DRAWING

CONSTRUCTION
DESCRIPTION

The CHEXSC series 20-gauge steel emergency light unit offers two 5.3W adjustable LED lamp heads and meets city of Chicago requirements.

HOUSING

Durable 20-gauge steel housing.
Neutral white or black finish.

MOUNTING

Mounting canopy included for top or end mount.
Universal K/O pattern on back plate for wall mount.

LAMP

Two 5.3W adjustable LED lamp heads.

ELECTRICAL
ELECTRICAL DETAILS

LVD (low voltage disconnect) prevents battery from deep discharge.
Fully automatic solid-state, two-rate charger initiates battery charging to recharge a discharged battery in 24 hours.
Internal solid-state transfer switch automatically connects the internal battery to lamp heads for minimum 120-minute emergency illumination.
6V sealed lead acid, maintenance-free, rechargeable battery

SOURCE/WATTAGE

Dual-voltage input 120 or 277V has charge rate/power "ON" LED indicator light and push-to-test switch for mandated code compliance testing

Input Watts	Input Amps
120: 12W	120: 0.12A
277: 13W	277: 0.06A

LISTINGS/RATINGS
LISTINGS/RATINGS/COMPLIANCE

Fixtures are UL listed and suitable for damp locations.

Meets UL924, NFPA 101 Life Safety Code, NEC, OSHA, most local and state codes

Meets city of Chicago requirements.

MODEL :		TYPE
PROJECT :		
PREPARED BY :	DATE :	

WARRANTY

WARRANTY

Guaranteed five years from the purchase date of the product, against mechanical defects in manufacturing. Batteries are pro-rated for two years.

ORDERING INFORMATION

Sample Part Code: CHEXSC1RWEM

CHEXSC	NO. OF FACES	R	HOUSING COLOR	OPTION
SERIES	NO. OF FACES	LETTER COLOR	HOUSING COLOR	OPTION
CHEXSC	[1]: Single Face [2]: Double Face	[R]: Red	[W]: White [B]: Black	[Blank]: No Options [RC]: Remote Capable