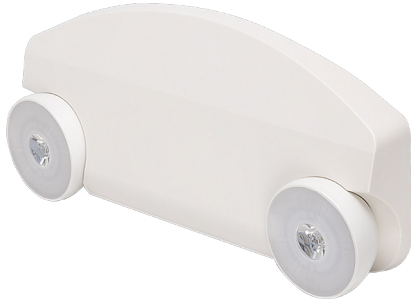




CONTRACTOR:	
PROJECT:	DATE:
PREPARED BY:	MODEL#: CSR-1

FEATURES AND SPECIFICATIONS



CSR-1 series

The CSR-1 series is a compact LED emergency light that utilizes fully adjustable LED heads, long-life and an easy-to-install fixture design.



CONSTRUCTION

Housing

Injection-molded, engineering grade, 5VA flame retardant, high-impact thermoplastic

Transfer switch

Internal solid-state transfer switch automatically connects the internal battery to lamp heads

Illumination

1W LED lamp heads

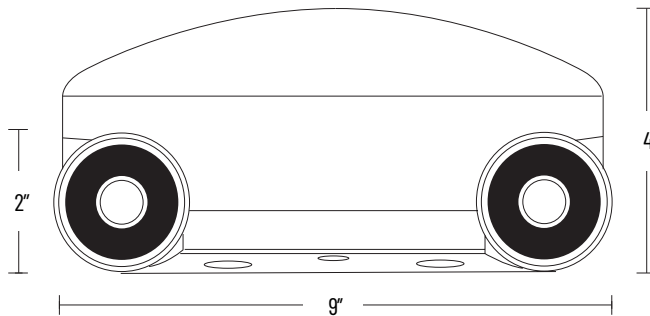
Charger

Fully automatic solid-state, two rate charger initiates battery charging to recharge a discharged battery in 24 hours.

Warranty

5-year limited warranty.

LINE DRAWING





CONTRACTOR:	
PROJECT:	DATE:
PREPARED BY:	MODEL#: CSR-1

ELECTRICAL SPECIFICATIONS

Battery Type

Injection-molded, engineering grade, 5VA flame retardant, high-impact thermoplastic

Low Voltage Disconnect

Prevents battery from deep discharge

Operating Voltage

120/277

Emergency Illumination

Minimum 90 Minutes

LED Indicator

Charge rate/power "ON" and push to test switch

Battery Recharge Time

24 Hours

Battery Discharge Time

1.5 Hours

MOUNTING SPECIFICATIONS

Backplate

Snaps into place making internal electrical connections

Conduit Mount

Mounts using knockouts on top and back of housing

CERTIFICATIONS/WARRANTY

Listing

UL Listed

Compliance

Meets UL924, cULus, NFPA 101 Life Safety Code, NEC, OSHA, Local and State Codes.

Location Rating

Suitable for damp locations

Warranty

Guaranteed for five years from the purchase date of the product, against mechanical defects in manufacturing. Batteries are pro-rated for two years.

ORDERING INFORMATION

SERIES	HOUSING COLOR
CSR-1	[BLANK] : White