

MODEL :		TYPE
PROJECT :		
PREPARED BY :	DATE :	

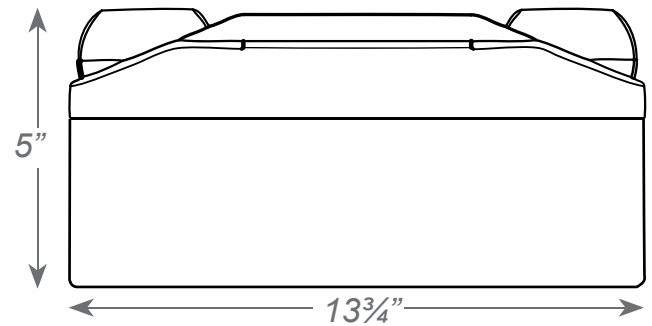
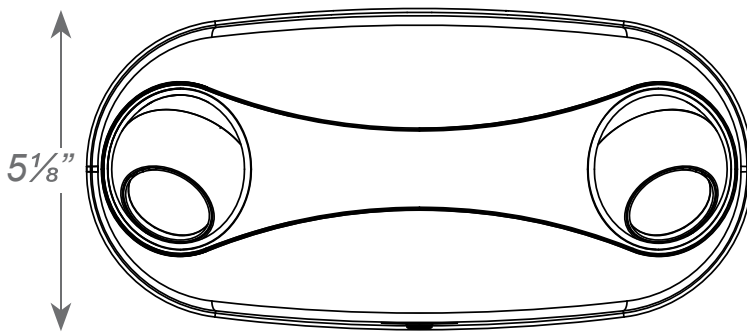
SERIES SPECIFICATIONS

ESR-16R

The ESR-16R is an MR16 style remote capable thermoplastic emergency light that offers a simple design with fully adjustable heads allowing it to be used in various applications.



LINE DRAWING



CONSTRUCTION

Housing

Injection molded, engineering grade, 5VA flame retardant high-impact resistant, thermoplastic

Transfer switch

Internal solid-state transfer switch automatically connects the internal battery to lamp heads

Remote Capacity

65 : 26W

125 : 26W

LED : 43W

Lamp Heads

Two fully adjustable ultra bright, round, 12W, MR-16 halogen lamp heads standard.

Charger

Fully automatic solid-state, two rate charger initiates battery charging to recharge a discharged battery in 24 hours.

Remote Compatibility

65 : ESRH1/ESRH2 Series

125 : ESRH1/ESRH2 Series

LED : LSRH1/LSRH2 Multi-Series

MODEL :		TYPE
PROJECT :		
PREPARED BY :	DATE :	

ELECTRICAL SPECIFICATIONS

Battery Type
6V Rechargeable Sealed Lead Acid

Emergency Illumination
Minimum 90 Minutes

Battery Recharge Time
24 Hours

Low Voltage Disconnect
Prevents battery from deep discharge

LED Indicator
Charge rate/power "ON" and push to test switch

Battery Discharge Time
1.5 Hours

Operating Voltage
120/277

Operating Temp
20°C ~ 40°C

Frequency
60Hz

AMPERAGE/WATTAGE

CATALOG NUMBER	INPUT WATTS (W)		INPUT AMPS (A)	
	120V	277V	120V	277V
ESR-16R65	11.4	11.4	0.12	0.05
ESR-16R125	11.5	11.7	0.12	0.05

MOUNTING SPECIFICATIONS

Backplate
Snaps into place making internal electrical connections

Surface Mount
"Easy Connect" backplate which fits most standard junction boxes.

Conduit Mount
Mounts using knockouts on the top of housing and backplate

Suitable for wall mount

OPTIONS

LED
3.3W high performance MR-16 base LED lamps

MODEL :		TYPE
PROJECT :		
PREPARED BY :	DATE :	

CERTIFICATIONS/WARRANTY

Listing
UL Listed

Compliance
Meets UL924, cULus, NFPA 101 Life Safety Code, NEC, OSHA, Local and State Codes.

Location Rating:
Suitable for damp locations

Warranty
Guaranteed for five years from the purchase date of the product, against mechanical defects in manufacturing. Batteries are pro-rated for two years.

ORDERING INFORMATION

Part Number: ESR-16R

ESR-16R	
SERIES	OPTIONS
ESR-16R	[65] : 6V
	[125] : 12V
	[LED] : 3.3W LED lamp heads

REMOTE COMPATIBILITY CHART

Use the below charts to pick the correct voltage for your remote capable device.

REMOTE COMPATIBILITY CHART

SERIES	ESRH SERIES		LSRH SERIES (LED)		
	6V	12V	3.6V	9.6V	MULTI
ESLFX-2				X	X
LXP-RC			X		X
LXPC-RC			X		X
EXDC-RC			X		X
EXWTC-RC			X		X
ESLR-1RC			X		X
LSR-1RC			X		X
ESR-16R-65	X				X
LXPCP-RC				X	X
EXPCL-RC				X	X
ESR-16R-LED	X				X

SERIES	ESRH SERIES		LSRH SERIES (LED)		
	6V	12V	3.6V	9.6V	MULTI
ESR-1HO	X				X
LSDXR627	X				X
ESTFX-2	X				X
ESDXR6	X				X
ESDXRS6	X				X
ESDXR12		X			X
ESDXRS12		X			X
ESR-16R-125		X			X
ESR-16R-LED12		X			X
EXP-RC	X				X
LXWTC-RC			X		X